

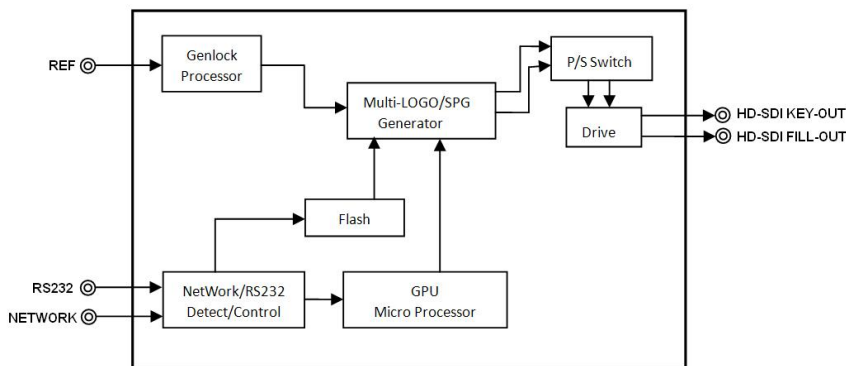
Description

VIO Logo series is a high performance and cost-effective HD/SD-SDI logo generator. With 32 Mbytes memory, it can store 1-4 full-bandwidth logos uncompressed 4:2:2 quality still and/or motion logos with its own luminance key channel. It has a built-in web server, through the IE browser in control PC, user can create logos via importing TGA series, MOV etc format pictures . The size of each logo is variable and ranges from 1/25th to full screen. The position of the logo is programmable.

The SNMP and RS-232 control protocol are also built in the machine. All the configuration and operation can be done by four ways, which are MCU on front panel, browser, SNMP and RS-232.



HD version Block Diagram



Ordering Information

VIO Logo-SD	SD-SDI logo generator
VIO Logo-HD	HD-SDI logo generator
VIO KeyerL	Dual ch. SD-SDI keyer & logo generator
VIO Keyer-HDL	Dual ch. HD/SD-SDI keyer & logo generator
VioKeyerL-RCP	Dual ch. HD/SD-SDI keyer & logo generator remote control panel

Key Features

- 20 bit processing, full-bandwidth, 1080i video format
- Uncompressed 4:2:2 still or motion logo
- Up to four static and/or motion “bugs” display simultaneously
- LTC/EBU time correction with the system main clock
- Position \size\ of logos changed freely and conveniently
- Four control modes: front panel MCU, IE browser, SNMP and RS-232
- Real-time remote control and monitor
- Standard 1U frame,
- Redundant PSU unites and fans

Specifications

Reference input:

Input interface: 1*CVBS, BNC, 75Ω

Digital (FILL) video output

Input interface: 1*HD-SDI, BNC, 75Ω

Format: SMPTE 292M; 1.5Gbit/s 108050i

Digital (KEY) video output

Input interface: 1*HD-SDI, BNC, 75Ω

Format: SMPTE 292M; 1.5Gbit/s 108050i

Inner Setting

Image phase adjustment: H/V

Key delay: 0-32 pixel

White/black key: white/black

Step length: 1/5/10/50/100

Status director:

LCD display, LOGO and menu

Physics:

Power: 2*120W